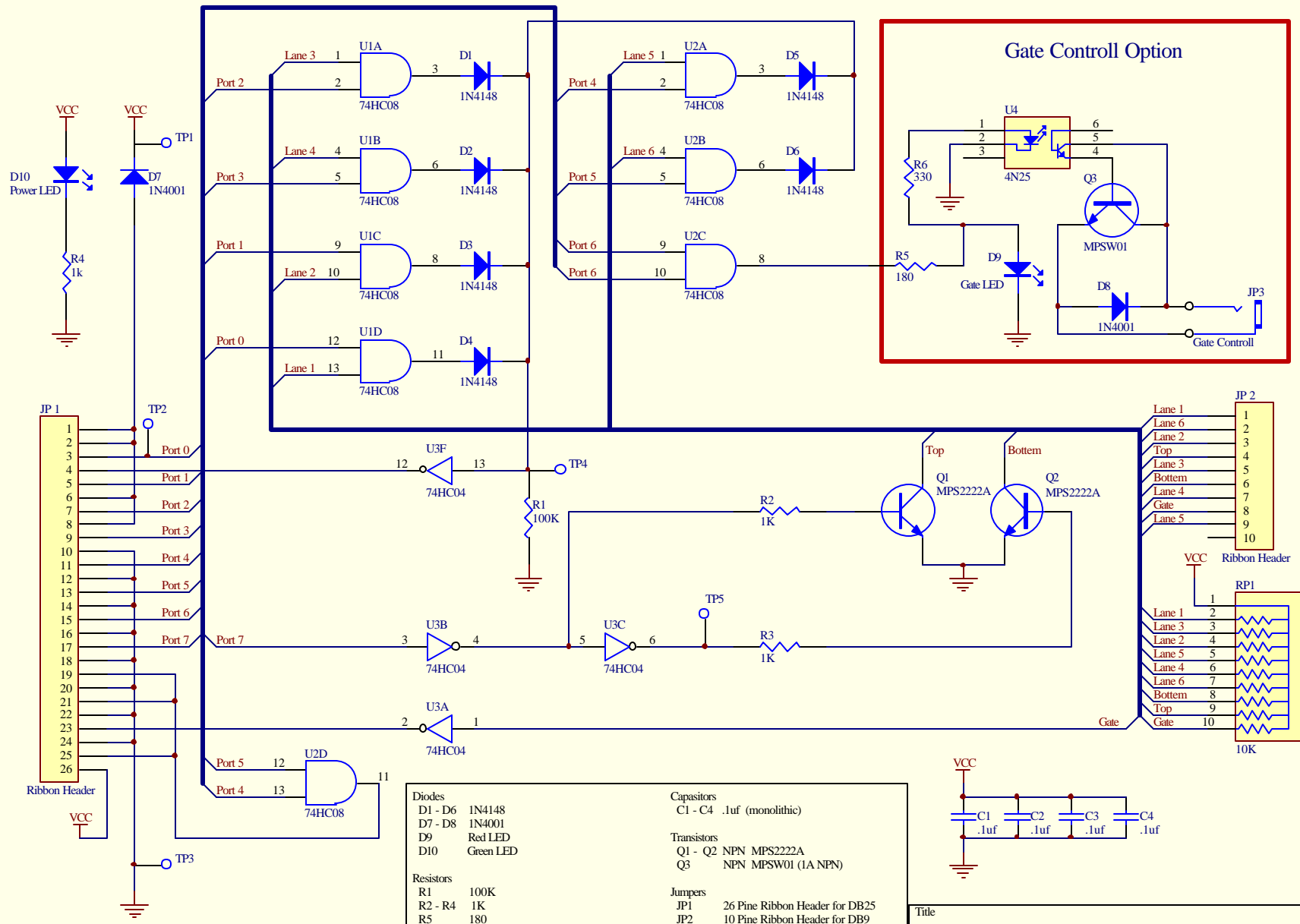
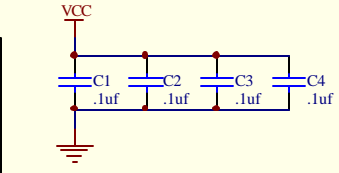


PineWood Racer Interface v3.5



Diodes		Capacitors	
D1 - D6	1N4148	C1 - C4	.1uf (monolithic)
D7 - D8	1N4001	Transistors	
D9	Red LED	Q1 - Q2	NPN MPS2222A
D10	Green LED	Q3	NPN MPSW01 (1A NPN)
Resistors		Jumpers	
R1	100K	JP1	26 Pine Ribbon Header for DB25
R2 - R4	1K	JP2	10 Pine Ribbon Header for DB9
R5	180	JP3	Gate Connection
R6	330		
RP1	10K Resistor Pack 10Pin 9Resistors		
Integrated Circuits			
U1 - U2	74HC08		
U3	74HC04		



Title		
Size	Number	Revision
Letter		
Date:	8-Feb-2002	Sheet of
File:	H:\Mv Files\Design\MvDesign.ddb	Drawn By: