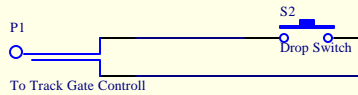
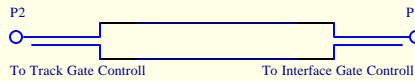
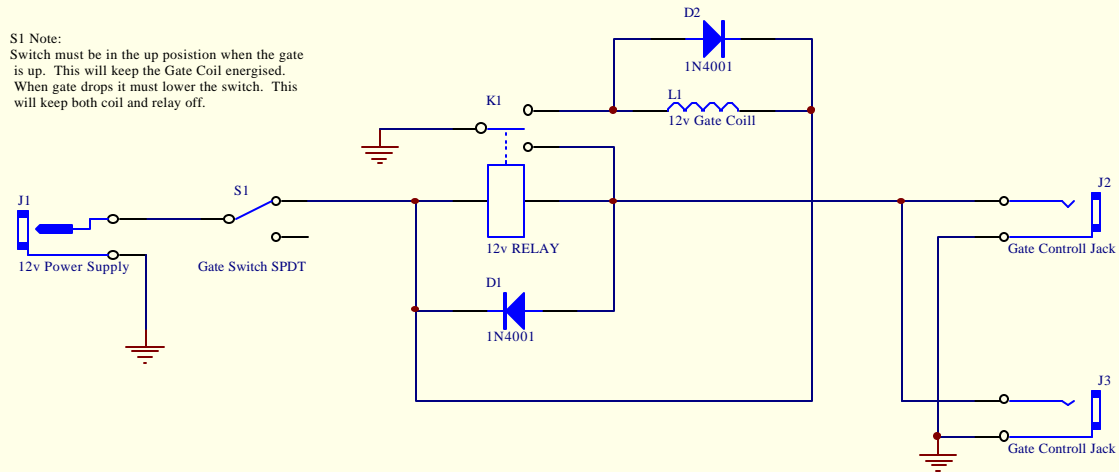


Gate Control Recommendation

S1 Note:
Switch must be in the up position when the gate is up. This will keep the Gate Coil energised.
When gate drops it must lower the switch. This will keep both coil and relay off.



Title		
Size	Number	Revision
Letter		
Date:	5-May-2001	Sheet of
File:	H:\My Files\Design\MyDesign.ddb	Drawn By: